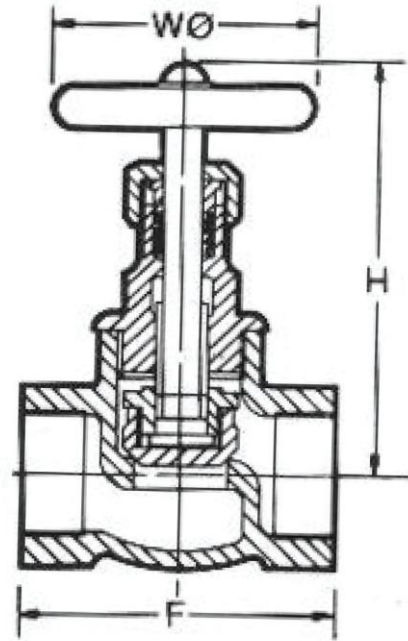


BRONZE GLOBE VALVE - Screwed PN20



'SBM' Bronze Globe Wheel Valve	Body Test Pressure	300 Psig Hyd.
Medium Duty Inside Screw	Seat Test Pressure	200 Psig Hyd.
Rising stem		
Integral seats	Water	
Screwed female ends (BSP)	Oil	
Handwheel operated	Steam	



Nominal Size	F	H	W
8	38	72	50
10	41	75	50
15	48	80	50
20	56	85	56
25	67	100	65
32	80	115	75
40	90	130	80
50	106	135	90
65	135	170	144
80	156	180	175
100	190	230	195

Components	Material	Material Specification
Body, Bonnet, Valve Disc, Gland, Gland Nut & Check Nut	Leaded Tin Bronze	15:318 Gr.LTB2
Stem	Forged Brass	15:6912 Gr.FLB
Gland Packing	Asbestos	15:4687
Handwheel	Cast Iron / Steel	15:210 Gr.FG200
Screw & Washer for Handwheel	Mild Steel	15:226

jhb@valvespec.co.za
+27 11 397 6922

www.valvespec.co.za

dbn@valvespec.co.za
+27 31 569 6325

SANT & SBM
VALVES