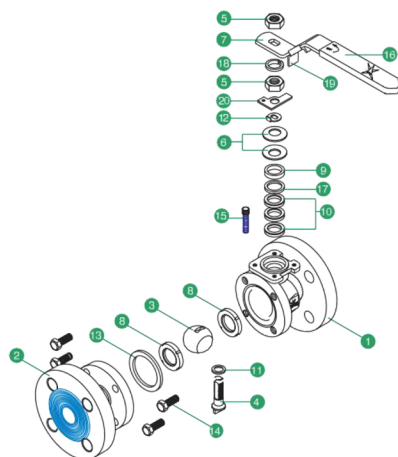
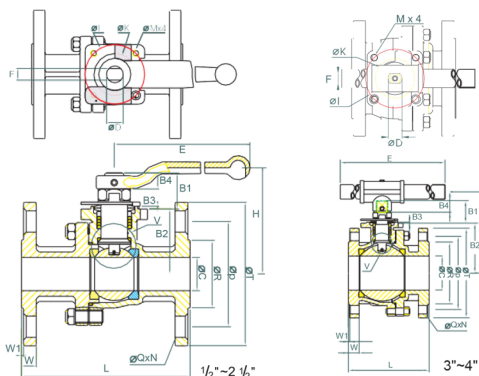


# 2-PCE-BALL-VALVE-FB-CL-150



|   |
|---|
| Specification Series 90 F/Port            |
| Design to ANSI B16.34 BS 5351, DIN 337    |
| Investment Casting                        |
| Blow-Out proof system, Anti-Static device |
| Full Bore 2 piece body construction       |
| Test and inspection to API 598            |

| Materials - Construction |                   |                                 |   |
|--------------------------|-------------------|---------------------------------|---|
|                          | Part Name         | Material                        |   |
| 1                        | Body              | ASTM A351 CF8M<br>ASTM A216 WCB | 1 |
| 2                        | End Cap           | ASTM A351 CF8M<br>ASTM A216 WCB | 1 |
| 3                        | Ball              | SUS316                          | 1 |
| 4                        | Stem              | SUS316                          | 1 |
| 5                        | Stem Nut          | SUS304                          | 2 |
| 6                        | Belleville Washer | SUS301                          | 2 |
| 7                        | Handle            | SUS304                          | 1 |
| 8                        | Seat              | RPTFE                           | 2 |
| 9                        | Gland             | SUS304                          | 1 |
| 10                       | V-Ring Packing    | PTFE                            | § |
| 11                       | Stem Seal         | RPTFE                           | 1 |
| 12                       | Lack Saddle       | SUS304                          | 1 |
| 13                       | Joint Gasket      | PTFE                            | 1 |
| 14                       | Bolt (Stud & Nut) | SUS304                          |   |
| 15                       | Stop Pin          | SUS304                          | 1 |
| 16                       | Handle Sleeve     | Vinyl                           | 1 |
| 17                       | Gland Packing     | 25% RTFE                        | 1 |
| 18                       | Washer            | SUS304                          | 1 |
| 19                       | Locking Device    | SUS304                          | 1 |
| 20                       | Locking Plate     | SUS304                          | 1 |



ValvesPEC

| Dimensions (in mm) |       |       |    |      |                                  |     |      |     |      |       |     |      |       |                  |   |     |    |       |       |      |     |       |         |
|--------------------|-------|-------|----|------|----------------------------------|-----|------|-----|------|-------|-----|------|-------|------------------|---|-----|----|-------|-------|------|-----|-------|---------|
| DN                 | B1-05 | B2    | B3 | B4   | <sup>+13</sup> / <sub>-0.2</sub> | OC  | OD   | E   | F    | H     | OI  | OK   | L     | M                | N | OP  | OQ | OR    | OT    | W    | W1  | W(kg) | ISO5211 |
| 15                 | 22.4  | 34.5  | 1  | 9.8  |                                  | 15  | 11.1 | 165 | 8.0  | 60.6  | 42  | 30   | 108.3 | M5(10-24UNC)     | 4 | 60  | 16 | 35.1  | 88.9  | 11.2 | 1.6 | 1.69  | F04     |
| 20                 | 21.4  | 41.1  | 1  | 8.8  |                                  | 20  | 11.1 | 165 | 8.0  | 67.21 | 42  | 30   | 117.3 | M5(10-24UNC)     | 4 | 69  | 16 | 42.9  | 98.6  | 11.1 | 1.5 | 2.1   | F04     |
| 25                 | 26.5  | 49.5  | 2  | 9.6  |                                  | 25  | 14.3 | 200 | 9.7  | 82.9  | 50  | 35   | 127.0 | M6(1\"-18UNC)    | 4 | 85  | 16 | 50.8  | 108   | 11.2 | 1.6 | 3.02  | F05     |
| 40                 | 34.8  | 78.3  | 2  | 14.8 |                                  | 38  | 19.0 | 250 | 12.0 | 115.3 | 70  | 55   | 165.1 | M8(5/1\"-18UNC)  | 4 | 110 | 16 | 73.2  | 127   | 14.3 | 1.6 | 6.17  | F07     |
| 50                 | 34.8  | 86.4  | 2  | 14.8 |                                  | 50  | 19.0 | 250 | 12.0 | 123.4 | 70  | 55   | 178.3 | M8(5/1\"-18UNC)  | 4 | 125 | 19 | 91.9  | 152.4 | 15.9 | 1.6 | 8.7   | F07     |
| 65                 | 34.8  | 97.4  | 2  | 14.8 |                                  | 65  | 19.0 | 250 | 12.0 | 134.4 | 70  | 55   | 190.3 | M8(5/1\"-18UNC)  | 4 | 145 | 19 | 104.6 | 177.8 | 17.6 | 1.6 | 13.62 | F07     |
| 80                 | 46.0  | 107.4 | 2  | 21.8 |                                  | 80  | 24.0 | 354 | 15.0 | 176.5 | 102 | 70.0 | 203.5 | M10(3/8\"-16UNC) | 8 | 160 | 19 | 127   | 190.5 | 19.1 | 1.6 | 18.58 | F10     |
| 100                | 45.5  | 122.4 | 2  | 21.8 |                                  | 100 | 24.0 | 354 | 15.0 | 191   | 102 | 70.0 | 229.5 | M10(3/8\"-16UNC) | 8 | 180 | 19 | 157.2 | 228.6 | 23.9 | 1.6 | 29.5  | F10     |

jhb@valvespec.co.za  
+27 11 397 6922

dbn@valvespec.co.za  
+27 31 569 6325

