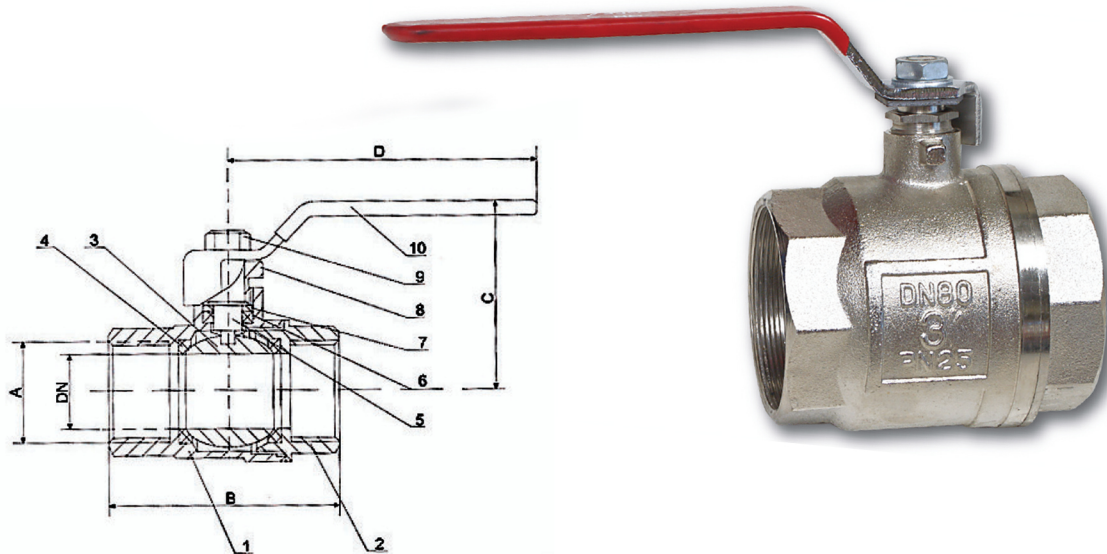


# Brass-Chrome-Plated-FB-Ball-Valve-PN16



Specifications
Screwed ends to BS21
Full Bore
Male/Female ends also available up to 2"



Materials of Construction	
Part	Material
Body	Forged Brass*
Body Cap	Forged Brass*
Stem	Special Brass Rod
Ball	Forged Brass (chrome plated)
Seat	PTFE
O Ring	PTFE
Handle	Steel (Vinyl sleeve)

\*For 4 valve, these parts are made of bronze

Dimensions (in mm)											
A	¼"	⅜"	½"	¾"	1"	1 ¼"	1 ½"	2"	2 ½"	3"	4"
DN	10	10	15	20	25	32	40	50	65	75	100
B	42	42	50	55.6	66.6	75.7	87.2	102	133.2	148.2	171
C	41.7	41.7	43.2	45	54.3	65.3	79.7	87.5	109.4	117.4	131.9
D	75	75	85	85	104	118	150	150	245	245	280

jhb@valvespec.co.za  
+27 11 397 6922

dbn@valvespec.co.za  
+27 31 569 6325

